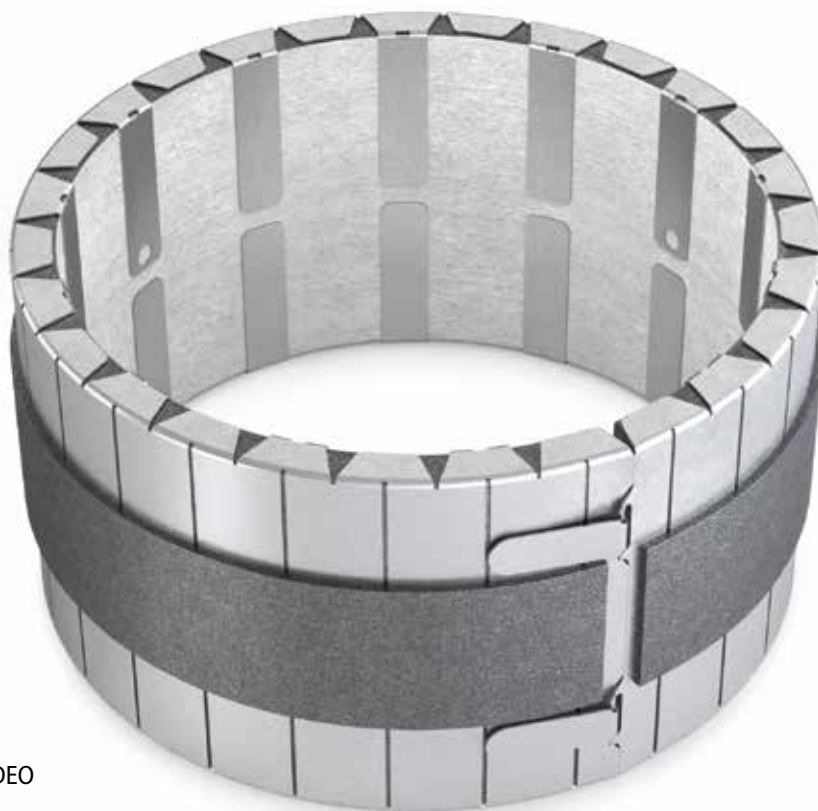
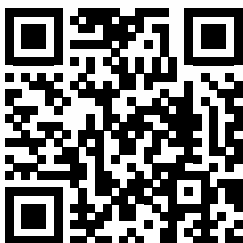


MG-U

Cast-in fire resistant U/U collar.



INSTALLATION VIDEO



<https://www.rft.be/VIDEO-MG-U>

CE
0749



Table of content

| | |
|---|----|
| Declaration of performance | 3 |
| Product presentation MG-U | 4 |
| Range and dimensions MG-U | 4 |
| Storage and handling | 6 |
| Installation | 6 |
| Installation in rigid wall and in flexible wall (metal stud gypsum plasterboard wall), without screws | 6 |
| Installation in rigid wall and in flexible wall (metal stud gypsum plasterboard wall), with screws | 8 |
| Installation in rigid floor, without screws | 10 |
| Installation in rigid floor, with screws | 11 |
| Weights | 12 |
| Approvals and certificates | 12 |









Explanation of the abbreviations and pictograms

Dn = nominal diameter

E = integrity

I = thermal insulation

GKB (type A) / GKF (type F): "GKB" stands for standard plasterboards (type A according to EN 520) while "GKF" plasterboards offer a higher fire resistance for a similar plate thickness (type F according to EN 520)

| | | | |
|---|--|---|--|
|  | fast and easy installation (sealing with classic, non fire resistant PUR foam) |  | water- and frost-resistant |
|  | suitable for PE-HD pipes according to EN 1519-1, EN 12666-1 or EN 12201-2 and for ABS pipes according to EN 1455-1 |  | suitable for PVC-U pipes according to EN 1329-1, EN 1453-1 or EN 1452-1 and for PVC-C pipes according to EN 1566-1 |
|  | suitable for PP pipes according to EN 1451-1 |  | installation U/U, U/C, C/C, C/U (uncapped-uncapped, uncapped-capped, capped-capped, capped-uncapped). |
|  | aesthetic solution |  | suitable for built-in installation |

DECLARATION OF PERFORMANCE

CE_DoP_Rf-L_M5_EN # B-12/2021

| | |
|--|---|
| 1. Unique identification code of the product-type: | MG-U |
| 2. Intended use/s: | Sealing flammable pipes in penetrations through fire compartment walls and floors. |
| 3. Manufacturer: | Rf-Technologies NV, Lange Ambachtstraat 40, B-9860 Oosterzele |
| 4. System/s of AVCP: | System 1 |
| 5. Harmonised standard / European Assessment Document; notified body / European Technical Assessment, Technical Assessment Body, notified body; certificate of constancy of performance: | EAD 350454-00-1104, ETA 21/0375; UBAtc asb; BCCA with identification number 0749; BCCA-0749-CPR-BC1-262-464-026-2.05-2517 |
| 6. Declared performance according to EAD 350454-00-1104 | (fire resistance according to EN 1366-3, classification according to EN 13501-2) |

| Essential characteristics | | | | | | | Performance | |
|---------------------------|--|---------------------------|---------------------------|---------------|--------------|---------------------------|--------------------------|---------------------------|
| Wall type | Wall | Sealing | Type of pipe | Material pipe | Installation | Pipe diameter (mm) | Pipe wall thickness (mm) | Classification |
| Rigid wall | Aerated concrete ≥ 100 mm | PUR foam | standard | PVC | A & B | 32-75 | 1,8-3,6 | EI 120 U/U ⁽¹⁾ |
| | | | | | | 80 | 1,8-5,3 | |
| | | | | | | 90 | 1,9-5,3 | |
| | | | | | | 100 | 2,0-5,3 | |
| | | | | | | 110 | 2,2-5,3 | |
| | | | | | | 125 | 2,4-7,7 | |
| | | | | 140 | 2,7-7,7 | | | |
| | | | | 160 | 3,2-7,7 | | | |
| | | | | 32-75 | 2,3-4,5 | EI 120 U/U ⁽¹⁾ | | |
| | | | | 80 | 2,4-6,6 | | | |
| | | | | 90 | 2,5-6,6 | | | |
| | | | | 100 | 2,6-6,6 | | | |
| | 110 | 2,7-6,6 | | | | | | |
| | 125 | 3,4-9,5 | | | | | | |
| | 140 | 4,1-9,5 | | | | | | |
| | 160 | 5,0-9,5 | | | | | | |
| | 32-40 | 1,8 | EI 90 U/U ⁽¹⁾ | | | | | |
| | 50 | 2,1 | | | | | | |
| | 56 | 2,2 | | | | | | |
| | 63 | 2,5 | | | | | | |
| | 75 | 3,0 | | | | | | |
| | 75 | 3,0 | | | | | | |
| | 80 | 3,1 | EI 120 U/U ⁽¹⁾ | | | | | |
| | 90 | 3,2 | | | | | | |
| 100 | 3,2 | | | | | | | |
| 110 | 3,2 | | | | | | | |
| 125 | 3,9 | | | | | | | |
| 140 | 3,4-9,5 | | | | | | | |
| 160 | 4,1-9,5 | | | | | | | |
| 32-75 | 2,3-4,5 | EI 120 U/U ⁽¹⁾ | | | | | | |
| 80 | 2,4-6,6 | | | | | | | |
| 90 | 2,5-6,6 | | | | | | | |
| 100 | 2,6-6,6 | | | | | | | |
| 110 | 2,7-6,6 | | | | | | | |
| 125 | 3,4-9,5 | | | | | | | |
| 140 | 4,1-9,5 | | | | | | | |
| 160 | 5,0-9,5 | | | | | | | |
| 32-40 | 1,8 | EI 90 U/U ⁽¹⁾ | | | | | | |
| 50 | 2,1 | | | | | | | |
| 56 | 2,2 | | | | | | | |
| 63 | 2,5 | | | | | | | |
| 75 | 3,0 | | | | | | | |
| 75 | 3,0 | | | | | | | |
| 80 | 3,1 | EI 120 U/U ⁽¹⁾ | | | | | | |
| 90 | 3,2 | | | | | | | |
| 100 | 3,3 | | | | | | | |
| 110 | 3,4 | | | | | | | |
| 125 | 3,9 | | | | | | | |
| 140 | 4,3 | | | | | | | |
| 160 | 4,9 | | | | | | | |
| Flexible wall | Metal studs gypsum plasterboard Type F (EN 520) ≥ 100 mm | PUR foam | standard | PVC | A & B | 32-75 | 1,8-3,6 | EI 120 U/U ⁽¹⁾ |
| | | | | | | 80 | 1,8-5,3 | |
| | | | | | | 90 | 1,9-5,3 | |
| | | | | | | 100 | 2,0-5,3 | |
| | | | | | | 110 | 2,2-5,3 | |
| | | | | | | 125 | 2,4-7,7 | |
| | | | | 140 | 2,7-7,7 | | | |
| | | | | 160 | 3,2-7,7 | | | |
| | | | | 32-75 | 2,3-4,5 | EI 120 U/U ⁽¹⁾ | | |
| | | | | 80 | 2,4-6,6 | | | |
| | | | | 90 | 2,5-6,6 | | | |
| | | | | 100 | 2,6-6,6 | | | |
| | 110 | 2,7-6,6 | | | | | | |
| | 125 | 3,4-9,5 | | | | | | |
| | 140 | 4,1-9,5 | | | | | | |
| | 160 | 5,0-9,5 | | | | | | |
| | 32-40 | 1,8 | EI 90 U/U ⁽¹⁾ | | | | | |
| | 50 | 2,1 | | | | | | |
| | 56 | 2,2 | | | | | | |
| | 63 | 2,5 | | | | | | |
| | 75 | 3,0 | | | | | | |
| | 75 | 3,0 | | | | | | |
| | 80 | 3,1 | EI 120 U/U ⁽¹⁾ | | | | | |
| | 90 | 3,2 | | | | | | |
| 100 | 3,3 | | | | | | | |
| 110 | 3,4 | | | | | | | |
| 125 | 3,9 | | | | | | | |
| 140 | 4,3 | | | | | | | |
| 160 | 4,9 | | | | | | | |
| 32-75 | 1,8-3,6 | EI 120 U/U ⁽¹⁾ | | | | | | |
| 80 | 1,8-5,3 | | | | | | | |
| 90 | 1,9-5,3 | | | | | | | |
| 100 | 2,0-5,3 | | | | | | | |
| 110 | 2,2-5,3 | | | | | | | |
| 125 | 2,4-7,7 | | | | | | | |
| 140 | 2,7-7,7 | | | | | | | |
| 160 | 3,2-7,7 | | | | | | | |
| 32-75 | 2,3-4,5 | EI 120 U/U ⁽¹⁾ | | | | | | |
| 80 | 2,4-6,6 | | | | | | | |
| 90 | 2,5-6,6 | | | | | | | |
| 100 | 2,6-6,6 | | | | | | | |
| 110 | 2,7-6,6 | | | | | | | |
| 125 | 3,4-9,5 | | | | | | | |
| 140 | 4,1-9,5 | | | | | | | |
| 160 | 5,0-9,5 | | | | | | | |
| 32-40 | 1,8 | EI 90 U/U ⁽¹⁾ | | | | | | |
| 50 | 2,1 | | | | | | | |
| 56 | 2,2 | | | | | | | |
| 63 | 2,5 | | | | | | | |
| 75 | 3,0 | | | | | | | |
| 75 | 3,0 | | | | | | | |
| 80 | 3,1 | EI 120 U/U ⁽¹⁾ | | | | | | |
| 90 | 3,2 | | | | | | | |
| 100 | 3,3 | | | | | | | |
| 110 | 3,4 | | | | | | | |
| 125 | 3,9 | | | | | | | |
| 140 | 4,3 | | | | | | | |
| 160 | 4,9 | | | | | | | |
| Rigid floor | Aerated concrete ≥ 150 mm | PUR foam | standard | PVC | A & B | 32-75 | 1,8-3,6 | EI 120 U/U ⁽¹⁾ |
| | | | | | | 80 | 1,8-5,3 | |
| | | | | | | 90 | 1,9-5,3 | |
| | | | | | | 100 | 2,0-5,3 | |
| | | | | | | 110 | 2,2-5,3 | |
| | | | | | | 125 | 2,4-7,7 | |
| | | | | 140 | 2,7-7,7 | | | |
| | | | | 160 | 3,2-7,7 | | | |
| | | | | 32-75 | 2,3-4,5 | EI 120 U/U ⁽¹⁾ | | |
| | | | | 80 | 2,4-6,6 | | | |
| | | | | 90 | 2,5-6,6 | | | |
| | | | | 100 | 2,6-6,6 | | | |
| | 110 | 2,7-6,6 | | | | | | |
| | 125 | 3,4-9,5 | | | | | | |
| | 140 | 4,1-9,5 | | | | | | |
| | 160 | 5,0-9,5 | | | | | | |
| | 32-40 | 1,8 | EI 120 U/U ⁽¹⁾ | | | | | |
| | 50 | 2,1 | | | | | | |
| | 56 | 2,2 | | | | | | |
| | 63 | 2,5 | | | | | | |
| | 75 | 3,0 | | | | | | |
| | 75 | 3,0 | | | | | | |
| | 80 | 3,1 | EI 120 U/U ⁽¹⁾ | | | | | |
| | 90 | 3,2 | | | | | | |
| 100 | 3,3 | | | | | | | |
| 110 | 3,4 | | | | | | | |
| 125 | 3,9 | | | | | | | |
| 140 | 4,3 | | | | | | | |
| 160 | 4,9 | | | | | | | |
| 32-75 | 1,8-3,6 | EI 120 U/U ⁽¹⁾ | | | | | | |
| 80 | 1,8-5,3 | | | | | | | |
| 90 | 1,9-5,3 | | | | | | | |
| 100 | 2,0-5,3 | | | | | | | |
| 110 | 2,2-5,3 | | | | | | | |
| 125 | 2,4-7,7 | | | | | | | |
| 140 | 2,7-7,7 | | | | | | | |
| 160 | 3,2-7,7 | | | | | | | |
| 32-75 | 2,3-4,5 | EI 120 U/U ⁽¹⁾ | | | | | | |
| 80 | 2,4-6,6 | | | | | | | |
| 90 | 2,5-6,6 | | | | | | | |
| 100 | 2,6-6,6 | | | | | | | |
| 110 | 2,7-6,6 | | | | | | | |
| 125 | 3,4-9,5 | | | | | | | |
| 140 | 4,1-9,5 | | | | | | | |
| 160 | 5,0-9,5 | | | | | | | |
| 32-40 | 1,8 | EI 120 U/U ⁽¹⁾ | | | | | | |
| 50 | 2,1 | | | | | | | |
| 56 | 2,2 | | | | | | | |
| 63 | 2,5 | | | | | | | |
| 75 | 3,0 | | | | | | | |
| 75 | 3,0 | | | | | | | |
| 80 | 3,1 | EI 120 U/U ⁽¹⁾ | | | | | | |
| 90 | 3,2 | | | | | | | |
| 100 | 3,3 | | | | | | | |
| 110 | 3,4 | | | | | | | |

Harmonised standard EAD 350454-00-1104

| | | | | | |
|---|---|--|---|--|--|
| 1 | Type of installation: built-in, U/U, U/C, C/C, C/U. Mounting with or without screws | | 2 | Type of installation: built-in, U/U, U/C, C/C, C/U. Mounting with screws | |
|---|---|--|---|--|--|

Reaction to fire: class E (EN 13501-1) Y2
 Durability and ease of maintenance: Y2
 The performance of the product identified above is in conformity with the set of declared performance/s.
 This declaration of performance is issued, in accordance with Regulation (EU) No 305/2011, under the sole responsibility of the manufacturer identified above.

Signed for and on behalf of the manufacturer by:
Mathieu Steenland, Technical Manager

Mathieu Steenland
 Oosterzele, 12/2021



| Installation method | Diameter pipe | Dimension hole wall | Dimension hole floor |
|---------------------|-------------------------------|---------------------|----------------------|
| A | Mounting with screws required | 32-75 | Dn+50 |
| | | 80-110 | |
| B | Mounting without screws | 125-160 | Dn+50 |
| | | 32-160 | |

Dn = Nominal diameter, diameter of the plastic pipe

Product presentation MG-U

Product presentation MG-U

The fire resistant collar MG-U is suitable for installation around ventilated (vented) and non-ventilated plastic pipes (PVC, (HD)PE, PP, ABS, SAN+PVC). It has been tested according to EN 1366-3 and is fire resistant up to 120 minutes in rigid and flexible walls and in rigid floors. Only 1 collar is required per fire compartment wall or floor. The MG-U is completely integrated in the wall or floor, resulting in a more aesthetic result. Thanks to the installation method of the collar, the pipes can bend faster after a fire compartment wall or floor, which saves space.

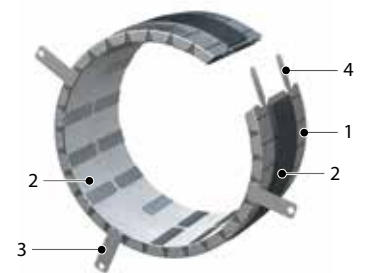
When combustible pipes burn away, openings appear in the floor or walls through which fire can spread. Fire resistant collars prevent propagation of fire by expanding through heat, thus closing off the openings and making them fire resistant.

- ☑ aesthetic solution
- ☑ no space is lost at the wall crossing (built-in installation)
- ☑ fast and easy installation (sealing with classic, non fire resistant PUR foam)
- ☑ solutions without screws possible
- ☑ installation U/U, U/C, C/C, C/U (uncapped-uncapped, uncapped-capped, capped-capped, capped-uncapped).
- ☑ water- and frost-resistant
- ☑ only 1 collar is required per fire compartment wall or floor
- ☑ CE marking according to EAD 350454-00-1104



- suitable for ventilated (vented) plastic pipes.
- installation U/U, U/C, C/C, C/U (uncapped-uncapped, uncapped-capped, capped-capped, capped-uncapped).
- suitable for built-in installation
- suitable for PVC-U pipes according to EN 1329-1, EN 1453-1 or EN 1452-1 and for PVC-C pipes according to EN 1566-1
- suitable for PE-HD pipes according to EN 1519-1, EN 12666-1 or EN 12201-2 and for ABS pipes according to EN 1455-1
- suitable for PP pipes according to EN 1451-1
- suitable for SAN+PVC pipes according to EN 1565-1
- maintenance-free

1. steel housing
2. intumescent strips
3. fixation plate
4. fastener

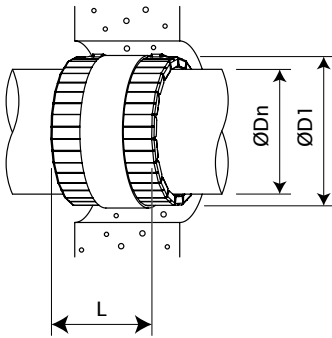


The fire resistant collar MG-U is suitable for installation around ventilated and non-ventilated plastic pipes (PVC, HDPE, PP, ABS, SAN+PVC). The MG-U is cast in the wall or floor in order to prevent propagation of fire for up to 120 minutes.

Range and dimensions MG-U

D1 = outside diameter of the collar

Dn = inside diameter of the collar, corresponding to the outside diameter of the pipe



| ØDn [mm] | 32 | 40 | 50 | 56 | 63 | 75 | 80 | 90 | 100 | 110 | 125 | 140 | 160 |
|----------|----|----|----|----|----|----|-----|-----|-----|-----|-----|-----|-----|
| D1 | 49 | 57 | 67 | 73 | 90 | 92 | 101 | 111 | 121 | 131 | 150 | 165 | 185 |
| L | 96 | | | | | | | | | | | | |

Storage and handling

As this product is a safety element, it should be stored and handled with care.

It is recommended:

- to unload in a dry area
- to keep in a cool, dry area, protected from heat
- to transport the product in a closed vehicle

Total product length, supplied in flat form

| Dn [mm] | 32 | 40 | 50 | 56 | 63 | 75 | 80 | 90 | 100 | 110 | 125 | 140 | 160 |
|---------|-----|-----|-----|-----|-----|-----|-----|-----|-----|-----|-----|------|-----|
| L (mm) | 187 | 212 | 243 | 262 | 284 | 322 | 350 | 381 | 413 | 444 | 504 | 5551 | 614 |

Installation

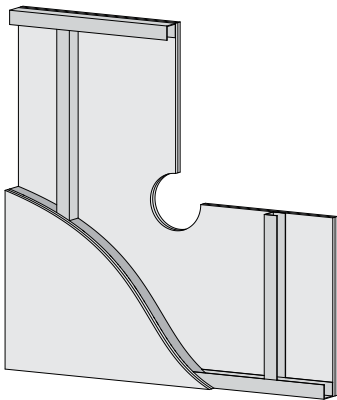
General points

- Consult our installation video (use the QR code on the cover)
- The installation must comply with the installation manual and the classification report.
- The pipe must be supported in order to guarantee the well-functioning of the sealing during a fire. Supports and fastenings should be realised according to the rules of good craftsmanship.

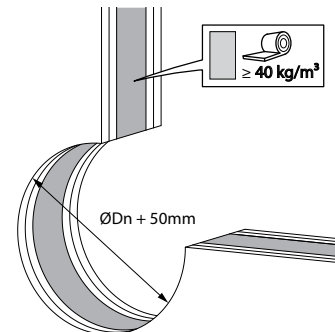
Installation in rigid wall and in flexible wall (metal stud gypsum plasterboard wall), without screws

The product was tested and approved in: see the classification overview. Mounting is authorised in supporting constructions with a thickness and/or density equal or superior to the supporting construction used during the test, as described in EN 1366-3.

1

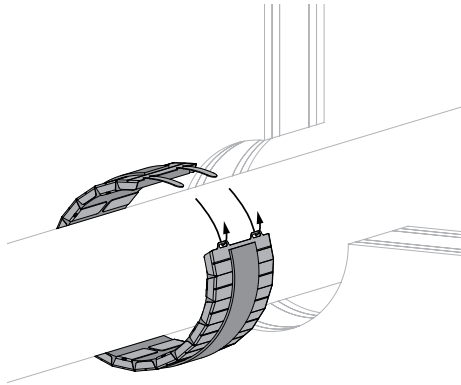


2



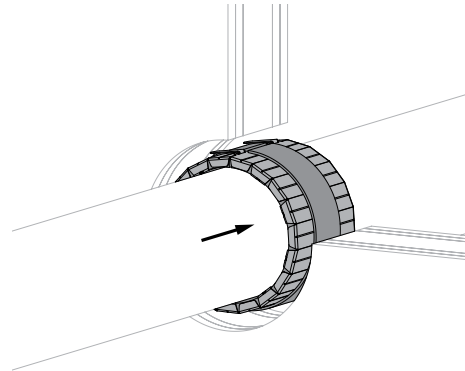
2. Provide an installation opening of $\text{ØDn} + 50 \text{ mm}$.

3



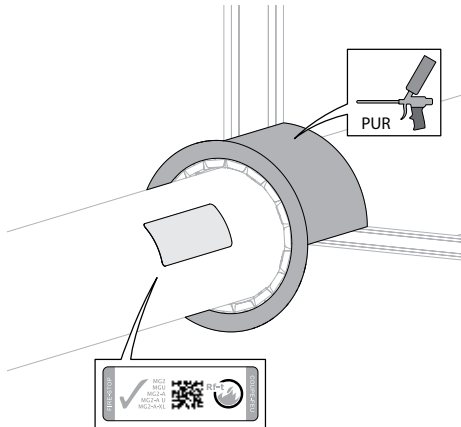
3. Bend the collar and mount it around the pipe. Slide the fastening strips through the corresponding holes. Fold back the strips.

4



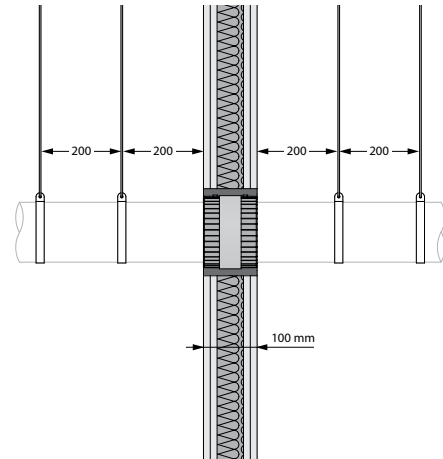
4. Slide the collar into the opening of the wall, in the middle of the wall thickness.

5



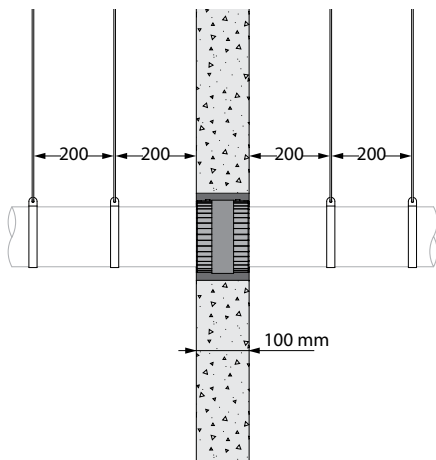
5. Seal with classic PUR foam. Apply the label nearby the collar.

6

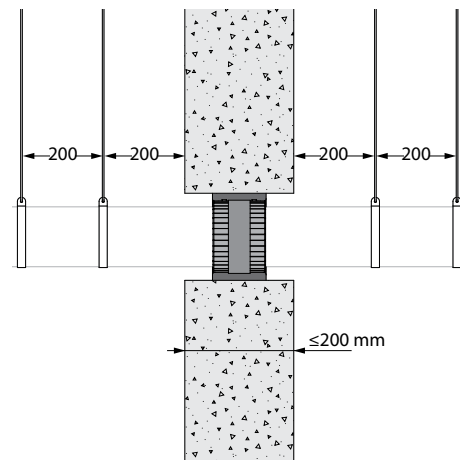


6. Caution: This installation is not valid for flexible walls with width > 100 mm (eg 125 or 150 mm). The MG-U L125/L150 is used for this. Please contact Rf-t for further information.

7



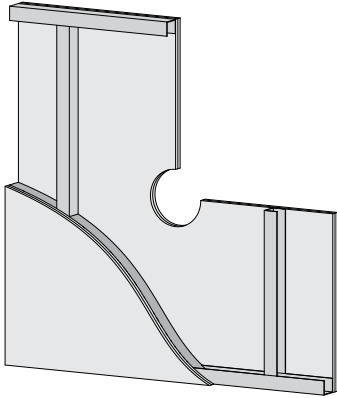
8



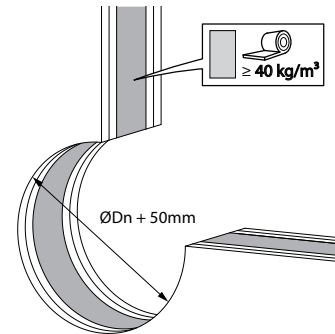
Installation in rigid wall and in flexible wall (metal stud gypsum plasterboard wall), with screws

The product was tested and approved in: see the classification overview in the Declaration of Performance. Mounting is authorised in supporting constructions with a thickness and/or density equal or superior to the supporting construction used during the test, as described in EN 1366-3.

1

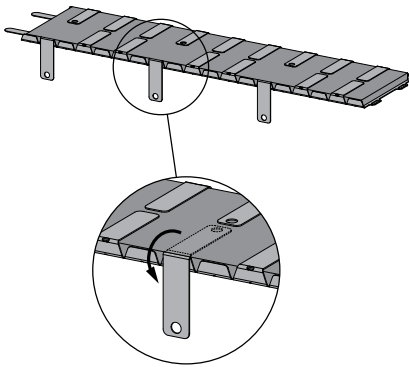


2



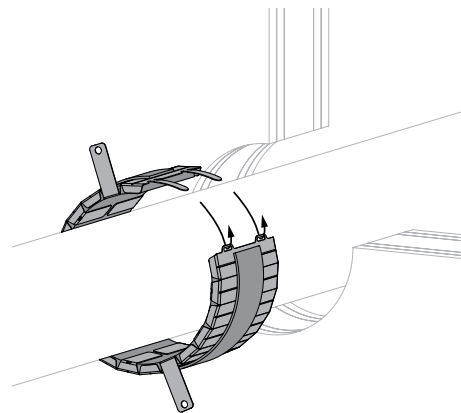
2. Provide an installation opening of minimum $\text{ØDn} + 27$ mm and maximum $\text{ØDn} + 50$ mm for pipe diameters 32-75, $\text{ØDn} + 36$ mm and $\text{ØDn} + 50$ mm for pipe diameters 80-110, $\text{ØDn} + 40$ mm and $\text{ØDn} + 50$ mm for pipe diameters 125-160.

3



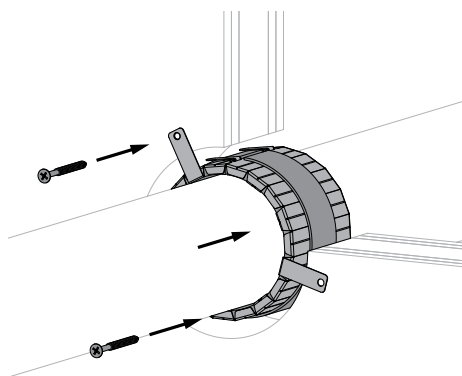
3. Fold the metal plates with pre-drilled holes for 270°.

4



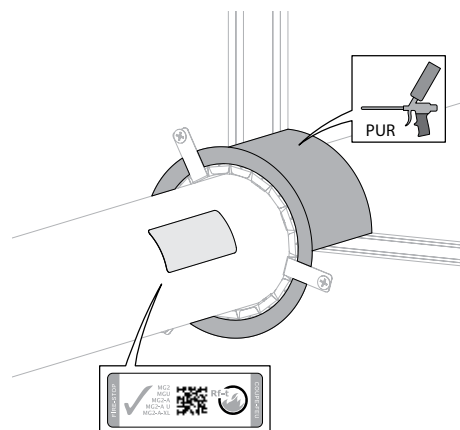
4. Bend the collar and mount it around the pipe. Slide the fastening strips through the corresponding holes. Fold back the strips.

5



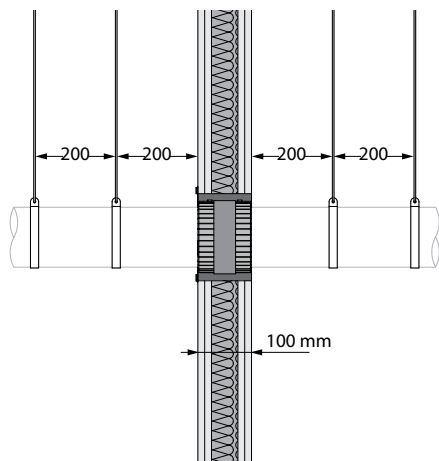
5. Slide the collar into the opening of the wall, in the middle of the wall thickness.
Fix the collar with 5x50 mm screws for rigid wall and 5x100 mm for flexible wall.

6



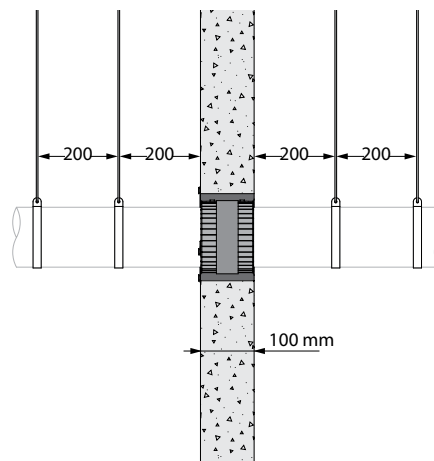
6. Seal with classic PUR foam.
Apply the label nearby the collar.

7



7. Caution: This installation is not valid for flexible walls with width > 100 mm (eg 125 or 150 mm). The MG-U L125/L150 is used for this. Please contact Rf-t for further information.

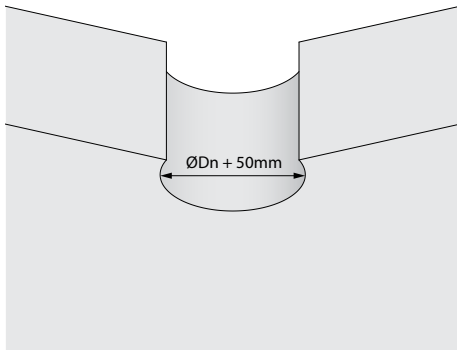
8



Installation in rigid floor, without screws

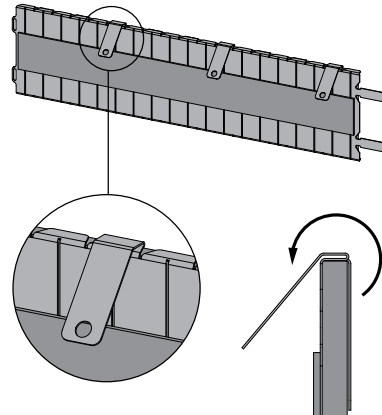
The product was tested and approved in: see the classification overview in the Declaration of Performance. Mounting is authorised in supporting constructions with a thickness and/or density equal or superior to the supporting construction used during the test, as described in EN 1366-3.

1



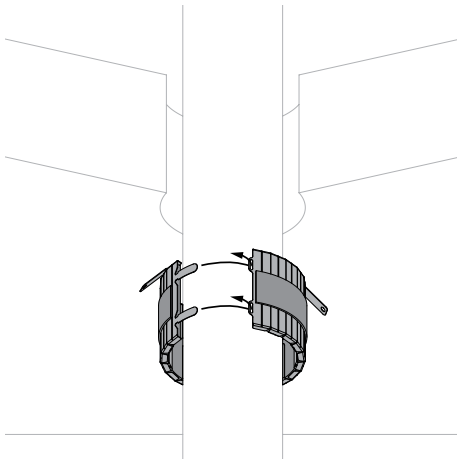
1. Provide an installation opening of $\varnothing D_n + 50\text{ mm}$.

2



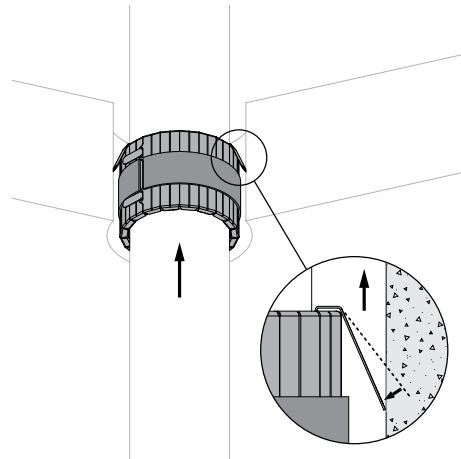
2. Fold the metal plates with pre-drilled holes for 300° .

3



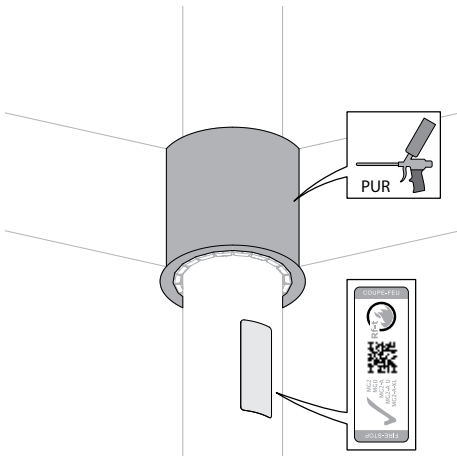
3. Bend the collar and mount it around the pipe. Slide the fastening strips through the corresponding holes. Fold back the strips.

4



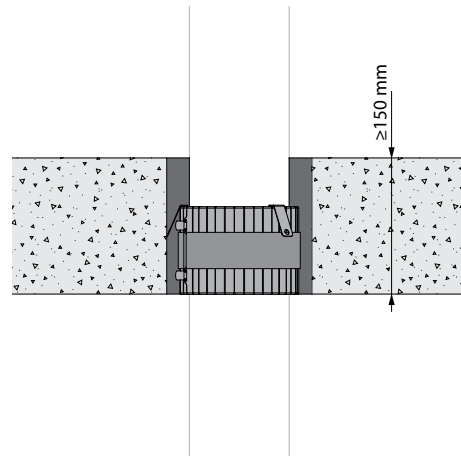
4. Slide the collar into the opening until it reaches the height of the ceiling.

5



5. Seal with classic PUR foam. Apply the label nearby the collar.

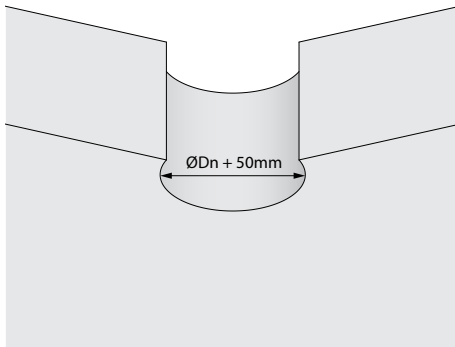
6



Installation in rigid floor, with screws

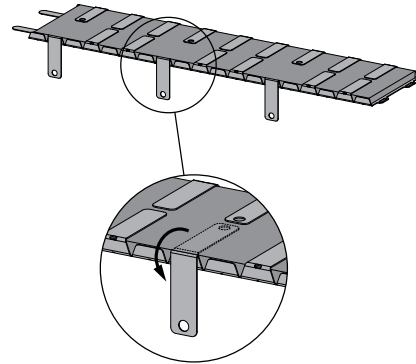
The product was tested and approved in: see the classification overview in the Declaration of Performance. Mounting is authorised in supporting constructions with a thickness and/or density equal or superior to the supporting construction used during the test, as described in EN 1366-3.

1



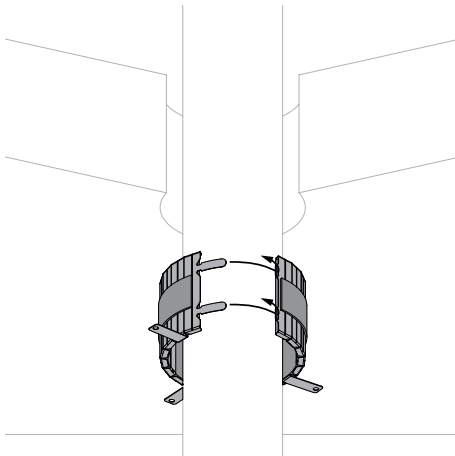
1. Provide an installation opening of $\text{ØDn} + 50 \text{ mm}$.

2



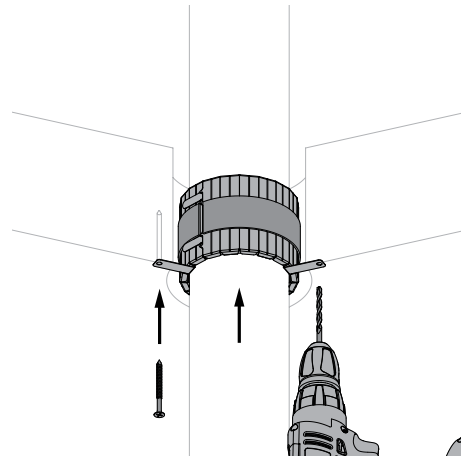
2. Fold the metal plates with pre-drilled holes for 270°.

3



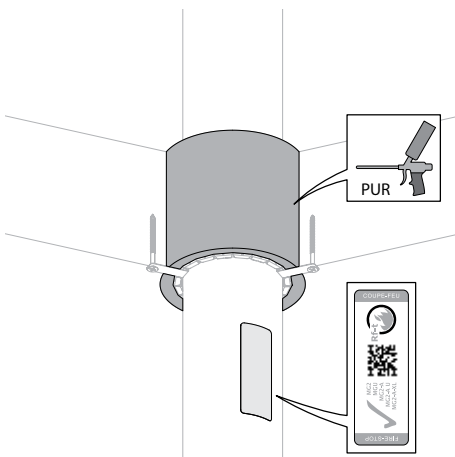
3. Bend the collar and mount it around the pipe. Slide the fastening strips through the corresponding holes. Fold back the strips.

4



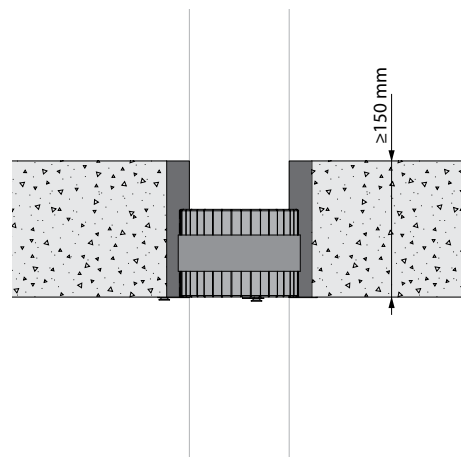
4. Slide the collar into the opening until it reaches the height of the ceiling.

5



5. Place the collar with 5x70 mm screws.

6



6. Seal with classic PUR foam. Apply the label nearby the collar.

Weights

MG-U

| ØDn [mm] | 32 | 40 | 50 | 56 | 63 | 75 | 80 | 90 | 100 | 110 | 125 | 140 | 160 |
|----------|-----|-----|-----|-----|-----|-----|-----|-----|-----|-----|-----|-----|-----|
| kg | 0,2 | 0,2 | 0,2 | 0,3 | 0,3 | 0,3 | 0,4 | 0,5 | 0,5 | 0,5 | 0,7 | 0,8 | 0,9 |

Approvals and certificates

All our products are submitted to a number of tests by official test institutes. Reports of these tests form the basis for the approvals of our products.



BCCA-0749-CPR-BC1-262-464-026-2.05-2517